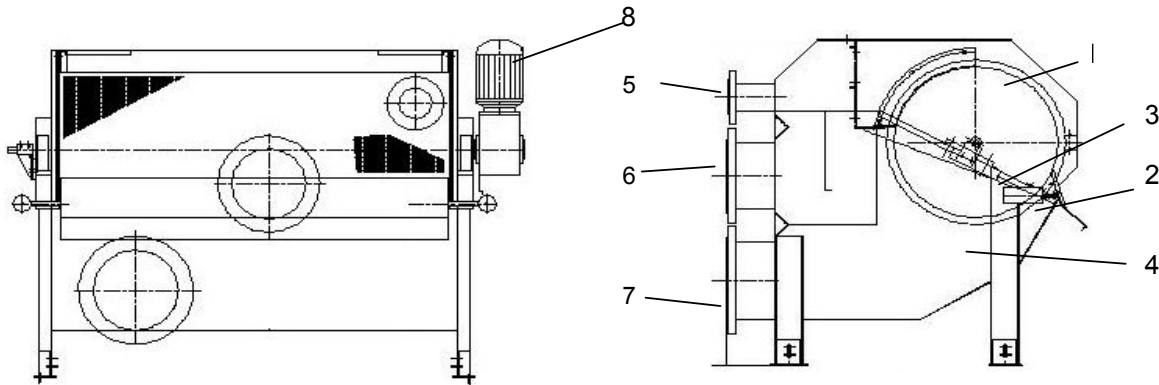


spec.		type	DE300	DE600	DE750	DE1000	DE1250	DE1500	DE2000	DE2500
screen	diameter (mm)		620	620	620	620	620	620	620	620
	length (mm)		300	600	750	1000	1250	1500	2000	2500
Dimensions (mm)	A		1350	1350	1350	1350	1350	1350	1350	1350
	B		750	1050	1200	1450	1750	2000	2500	3000
	C		1375	1375	1375	1375	1375	1375	1375	1375
	D		600	600	600	600	600	600	600	600
	E		810	810	810	810	810	810	810	810
	F		320	320	320	350	350	370	370	420
	G		1125	1125	1125	1125	1125	1125	1125	1125
	K		825	825	825	825	825	825	825	825
	L		450	750	900	1150	1400	1650	2150	2650
	N1		DN200	DN200	DN200	DN250	DN250	DN300	DN300	DN400
	N2		DN150	DN150	DN150	DN200	DN200	DN250	DN250	DN350
	N3		DN100	DN100	DN100	DN100	DN100	DN100	DN100	DN150
	L1		180	170	180	200	260	320	500	680
	L2		180	390	405	530	660	780	1030	1280
L3		110	110	110	110	110	110	110	110	
Motor power (KW)			0,25	0,25	0,25	0,25	0,37	0,37	0,37	0,37
weight (kg)	dry		136	156	165	182	196	212	244	285
	in operation		340	502	615	735	890	1023	1314	1605



- 1. Drum** : Wedge Wire type sieve surface with openings between 0.25 mm - 2 mm are used for different applications. The drum is manufactured from stainless steel material.
- 2. Doctor Blade** : It is the scraper mechanism of drum screen and it is manufactured from copper alloy for standard products, but polyethylene is available upon request.
- 3. Counter weight** : The distance of the blade arm to sieve surface and its pressure on the surface is adjusted by a counter weight.
- 4. Main Body** : It is the main structure of the equipment and made of stainless steel.
- 5. Overflow** : Pipe, flanged and lose flanged ends are available.
- 6. Inlet** : Pipe, flanged and lose flanged ends are available.
- 7. Outlet** : Pipe, flanged and lose flanged ends are available.
- 8. Drive Unit** : Drive system is consisting of a motor which has IP 55 class protection as standard and a gearbox to reduce motor output speed and supply suitable rotation speed for drum.

Table1. Capacities for clean water (m³/h)

type opening (mm)	DE300	DE600	DE750	DE1000	DE1250	DE1500	DE2000	DE2500
0,25	28	56	70	95	120	140	190	240
0.50	45	90	115	150	190	230	300	380
0.75	62	125	155	210	260	310	420	520
1.00	80	160	195	265	330	380	530	660
1.25	96	192	240	320	400	480	640	800
1.50	108	215	270	360	450	540	720	900
2.00	120	240	300	395	495	600	790	990
2.50	125	250	310	415	520	620	830	1040